

CD Series High-voltage Current Transformers (less than or equal to 6600V)

CD-40GNA 40VA / 150times / n>10

Epoxy resin mold

Specifications

Applicable standards: JIS C 1731-1/JEC-1201-2007



Type	Rated primary current (A)	Secondary current (A)	Rated burden (VA)	Accuracy (class)	Overcurrent strength (times)	Overcurrent constant	Highest voltage (V)	Withstand voltage (kV)	Frequency (Hz)	External dimensions	Mass (kg)
CD-40GNA	5	5	40	1.0-1PS	150	n>10	6900	22/60	Both 50/60	Fig. 1	16
	10										
	15										
	20										
	25										
	30										
	40										
	50										
	60										
	75										
	80										
	100										
	150										
200											

Use

- General-use meters/Relays

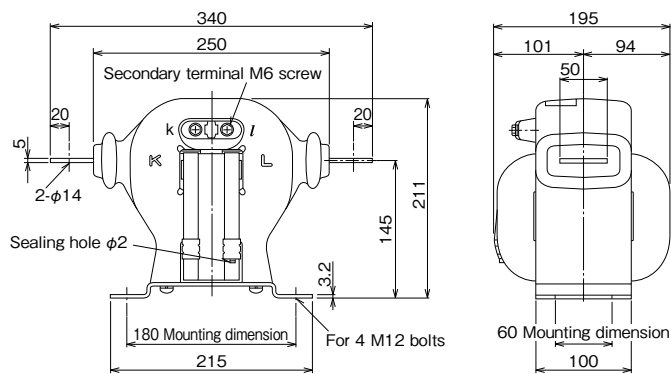
Notes

*1 Withstand voltage value indicates commercial power frequency withstand voltage/lightning impulse withstand voltage.

*2 An overcurrent intensity value is guaranteed if 25% of the rated load is connected to the secondary side.

External Dimensions

Fig. 1 5 to 200A



CD Series High-voltage Current Transformers (less than or equal to 6600V)

CD-40LN 40VA / 300times / n>10

Epoxy resin mold



Use

- General-use meters/Relays

Specifications

Applicable standards: JIS C 1731-1/JEC-1201-2007

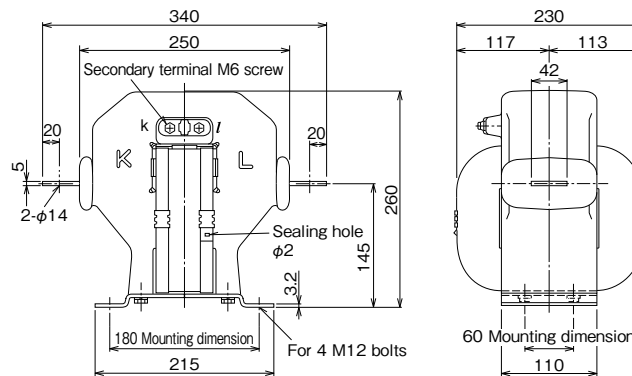
Type	Rated primary current (A)	Secondary current (A)	Rated burden (VA)	Accuracy (class)	Overcurrent strength (times)	Overcurrent constant	Highest voltage (V)	Withstand voltage (kV)	Frequency (Hz)	External dimensions	Mass (kg)
CD-40LN	5	5	40	1.0 1PS	300	n>10	6900	22/60	Both 50/60	Fig. 1	25
	10										
	15										
	20										
	25										
	30										
	40										
	50										
	60										
	75										
	80										
100											

Notes

- *1 Withstand voltage value indicates commercial power frequency withstand voltage/lightning impulse withstand voltage.
- *2 An overcurrent intensity value is guaranteed if 25% of the rated load is connected to the secondary side.

External Dimensions

Fig. 1 5 to 100A



CD Series High-voltage Current Transformers (less than or equal to 6600V)

CD-40H 40VA / $\frac{40 \text{ times}}{40 \text{ kA}}$ / $n > 10$

Epoxy resin mold

Specifications

Applicable standards: JIS C 1731-1/JEC-1201-2007



Type	Rated primary current (A)	Secondary current (A)	Rated burden (VA)	Accuracy (class)	Overcurrent strength/Withstand current	Overcurrent constant	Highest voltage (V)	Withstand voltage (kV)	Frequency (Hz)	External dimensions	Mass (kg)	
CD-40H	600	5	40	1.0-1PS	40 times	$n > 10$	6900	22/60	Both 50/60	Fig. 1	14	
	750										Fig. 2	15
	800									40kA		15
	1000											15
	1200											15
	1500									17		
2000	17											

Note

*1 Withstand voltage value indicates commercial power frequency withstand voltage/lightning impulse withstand voltage.

Use

- General-use meters/Relays

External Dimensions

Fig. 1 600 to 1000A

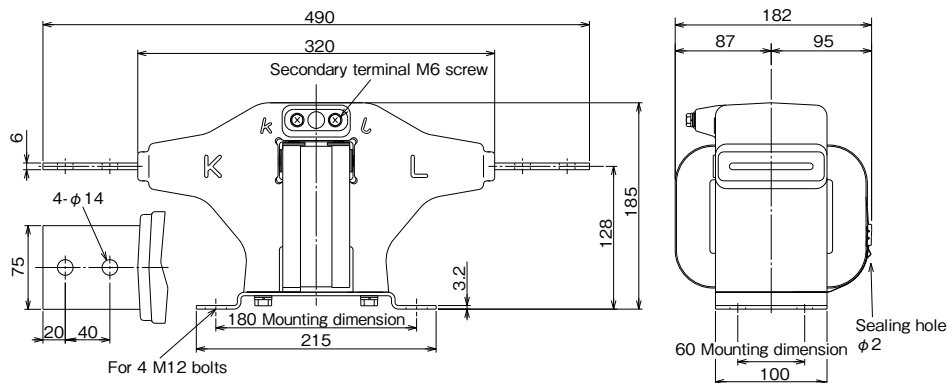


Fig. 2 1200 to 2000A

