

CW Series Low-voltage Current Transformers (less than or equal to 1100V)

CW-15LM/CW-40LM Busbar wiring/Rectangular window through type



Use

- General-use meters

Features

- These current transformers allow the selection of various installation configurations such as vertical or horizontal mounting, or direct mounting on the busbar.
- Secondary terminal insulation cap (page 34) is available as an option. (less than or equal to 4000/5A)

Specifications

Applicable standard: JIS C 1731-1

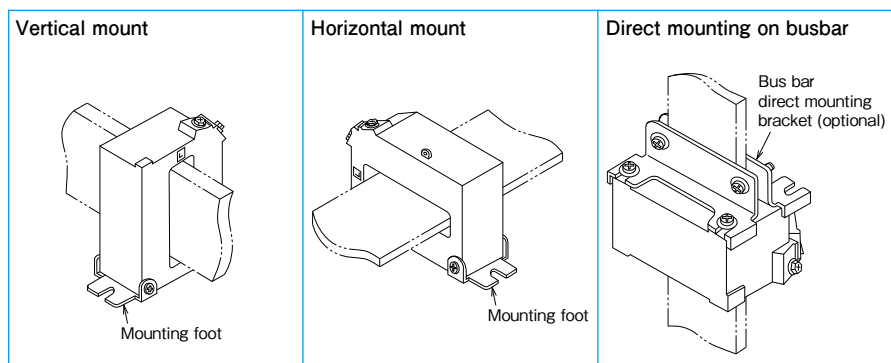
Type	Rated primary current (A)	Secondary current (A)	Rated burden (VA)	Accuracy (class)	Overcurrent strength (times)	Highest voltage/withstand voltage (kV)	Frequency (Hz)	External dimensions/Mounting dimensions ^{*1}				Square window dimensions (mm)	Mass (kg)			
								Vertical mount	Horizontal mount	Direct mounting on busbar ^{*2}						
										1 busbar	2 busbars					
CW-15LM	150	5 or 1	15	1.0	40	1.15/4/-	Both 50/60	Fig. 5	Fig. 6	-	-	14×55	2.1			
	200							Fig. 1	Fig. 2	-	-		1.1			
	250							Page 26 Fig. 1	-	-	0.6					
	300										Fig. 3		Fig. 4	-	0.5	
	400										Page 26 Fig. 1		-	-	14×55	2.3
	500							Fig. 1	Fig. 2	-						1.1
	600							Page 26 Fig. 1	-	-						14×80
750	Fig. 7	Fig. 8	-	0.9												
800	Page 26 Fig. 1	-	-	28×105	1.2											
1000					Fig. 9	Fig. 10	-	1.1								
1200					Page 26 Fig. 2	-	-	48×160	1.2							
1500	Page 26 Fig. 2	-	-	48×160					4.8							
2000									Fig. 11	Fig. 12	-	6.3				
2500					Page 26 Fig. 2	-	-	88×217	14							
3000	Fig. 13	Fig. 14	-	-												
4000	Page 26 Fig. 2	-	-	88×217					14							
*3 5000					Page 26 Fig. 2	-	-	88×217	14							
*3 6000									14							

Notes

- *1 Standard products must be mounted vertically.
- *2 Busbar direct mounting brackets are sold separately.
When ordering, specify the desired body type and rated primary current.
For rated primary currents of 1000 to 2000A, also specify the number of busbars.
- *3 An epoxy resin mold is used to insulate rated primary currents of 5000A and 6000A.
- *4 Withstand voltage value indicates commercial power frequency withstand voltage/lightning impulse withstand voltage.
- *5 Product weight may vary due to changes in core characteristics.
- *6 Mitsubishi Electric also guarantees the performance for rated loads of 15A.

Mounting Method

- Vertical or horizontal mounting
These current transformers can be mounted vertically or horizontally, easily changing the direction to fit the board space.
- Direct mounting on busbar
Angles are not necessary, and making holes in busbars is not required. Freely change the mounting position as required.



Note: When mounting the bus bar, locate it in the center of the through hole, so that it is not in contact with the inside of the through hole.

External Dimensions

Vertical mount	Horizontal mount
CW-15LM 200 to 300A / CW-40LM 300 to 500A	

Fig. 1

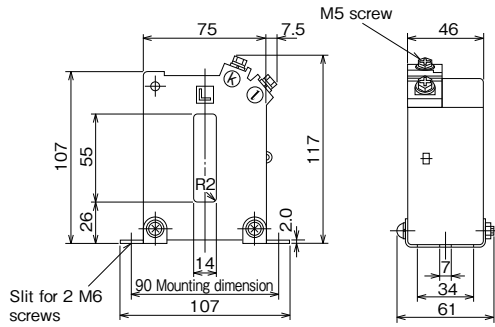
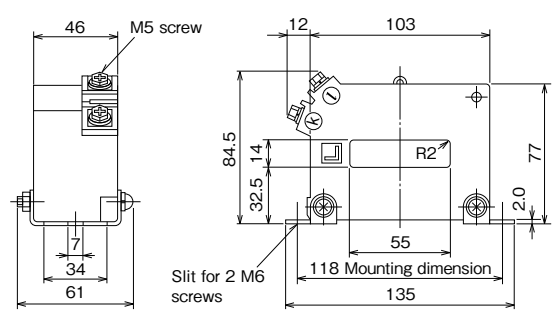


Fig. 2



CW-15LM 400 to 750A	
---------------------	--

Fig. 3

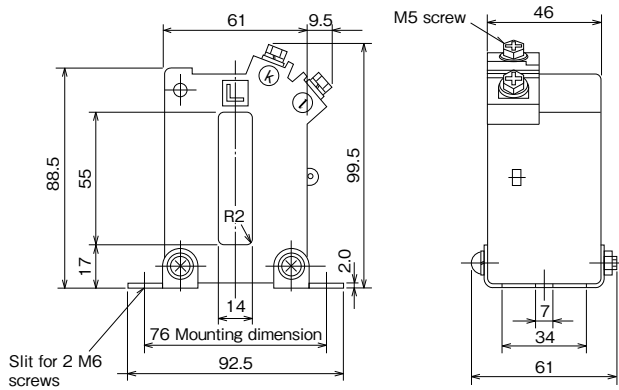
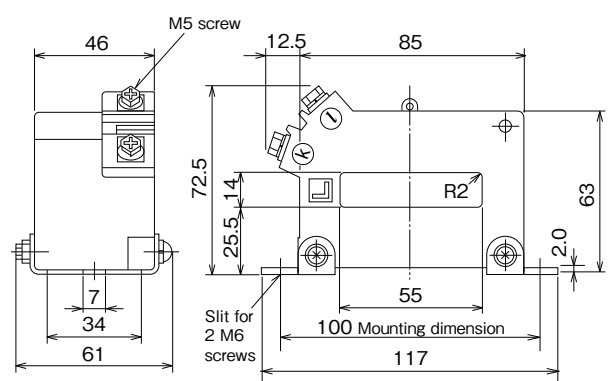


Fig. 4



CW-15LM 150A / CW-40LM 200 / 250A	
-----------------------------------	--

Fig. 5

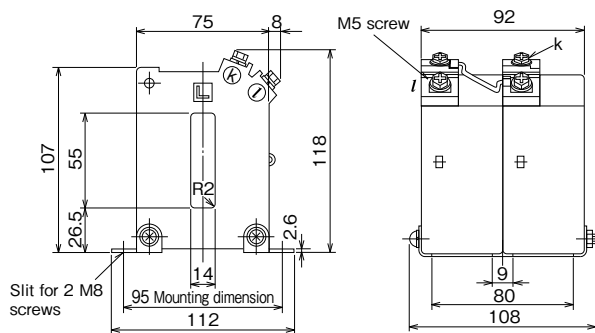
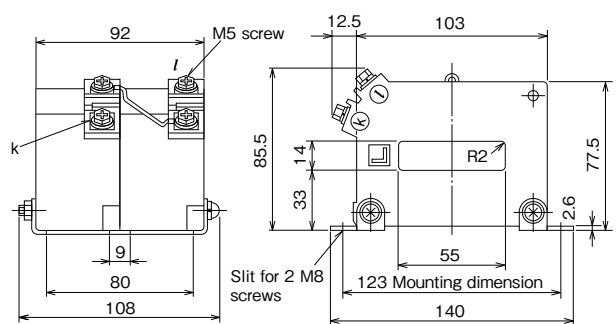


Fig. 6



Vertical mount

Horizontal mount

CW-40LM 600 to 800A

Fig. 7

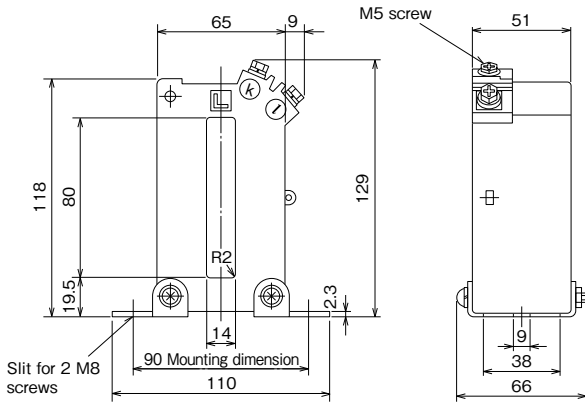
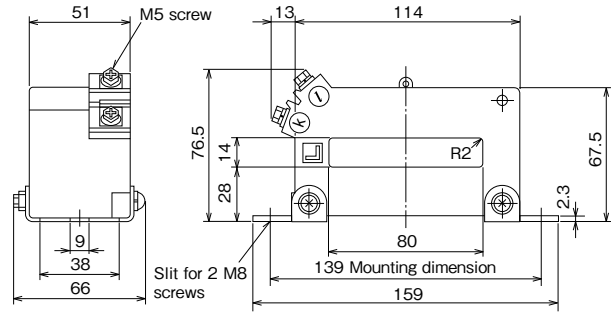


Fig. 8



CW-40LM 1000 to 2000A

Fig. 9

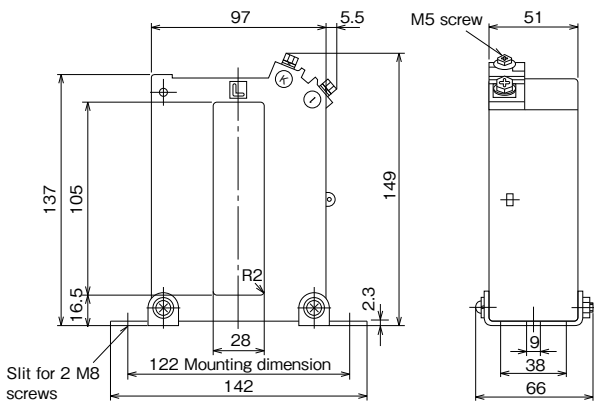
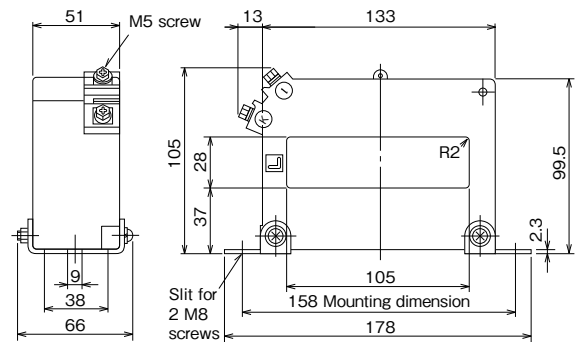


Fig. 10



CW-40LM 2500 to 4000A

Fig. 11

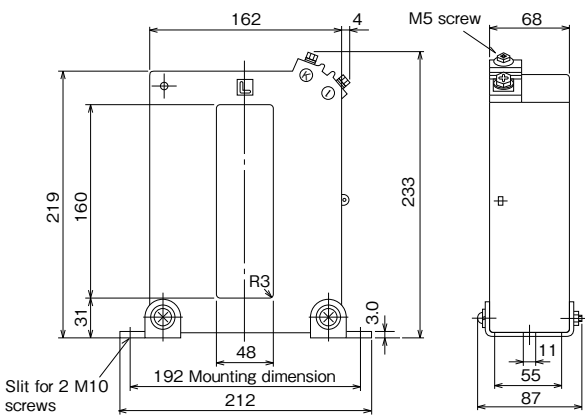
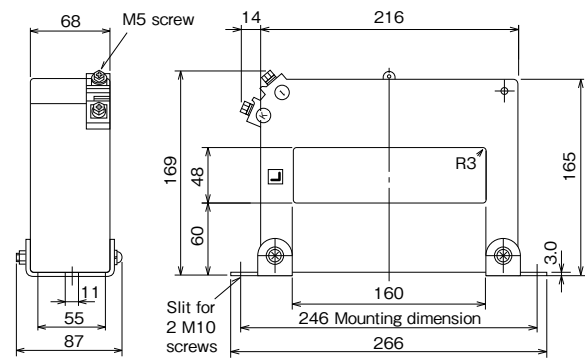


Fig. 12



Vertical mount

Horizontal mount

CW-40LM 5000 / 6000A

Fig. 13

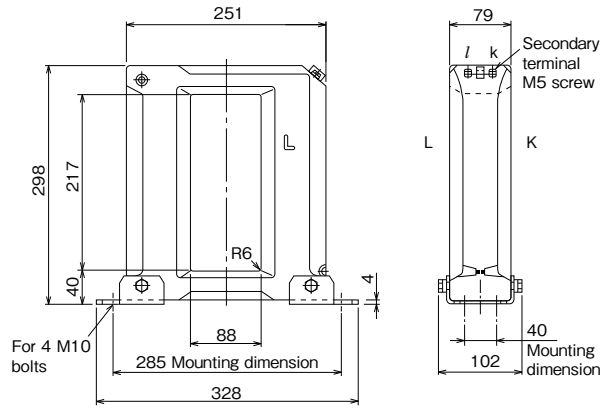


Fig. 14

