

CW Series Low-voltage Current Transformers (less than or equal to 1100V)

CW-15LS Cable wiring



Specifications

Applicable standard: JIS C 1731-1

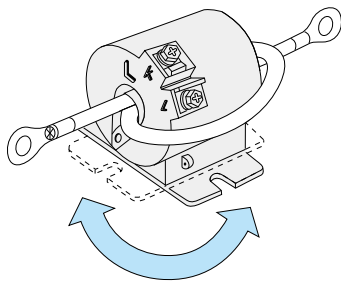
Type	Rated primary current (A)	Secondary current (A)	Rated burden (VA)	Accuracy (class)	Overcurrent strength (times)	Highest voltage/withstand voltage (kV)	Frequency (Hz)	External dimensions	Mass (kg)	Structure	
CW-15LS	5	5	15	1.0	40	1.15/4/-	50 or 60	Fig. 1	1.1	Primary winding	
	10										
	15										
	20										
	30										
	CW-15LS	40	5	15	1.0	40	1.15/4/-	50 or 60	Fig. 2-1	1.2	With primary conductor
		50									
		60									
		75									
		100									
CW-15LS	150	5	15	1.0	40	1.15/4/-	50 or 60	Fig. 3-1	1.0	Without primary conductor	
	200										
	250										
	300										
	400										
	500										
	600										
750											

Note: Withstand voltage value indicates commercial power frequency withstand voltage/lightning impulse withstand voltage.

Use

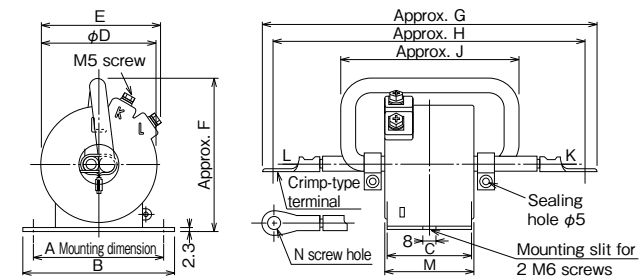
- General-use meters
- Secondary terminal insulation cap (page 34) is available as an option.

Features



- The direction of the mounting plate can be turned 90°, even after the verification seal has been affixed.

Fig. 2 40 to 120A (The figures shown below are examples of 10 to 120A.)



Item	Rated primary current (A)	Primary winding (T)	Primary wire cross-sectional area (mm ²)	Dimensions										
				A	B	C	D	E	F	G	H	J	M	N
1	40	4	14	85	100	57	75.5	78.5	105	215	203	105	57.5	M6
2	50	3	22	85	100	57	75.5	78.5	105	220	203	105	57.5	M6
	60	3	22											
3	75	2	38	85	100	57	75.5	78.5	105	230	208	105	57.5	M8
4	100	2	38	85	100	57	75.5	78.5	105	240	218	105	57.5	M10
5	120	2	60	70	85	50	68.5	73	105	255	233	105	57.5	M10

Note: The primary cable is coiled and secured. The number of coils must not be changed.

External Dimensions

Fig. 1 5 to 30A

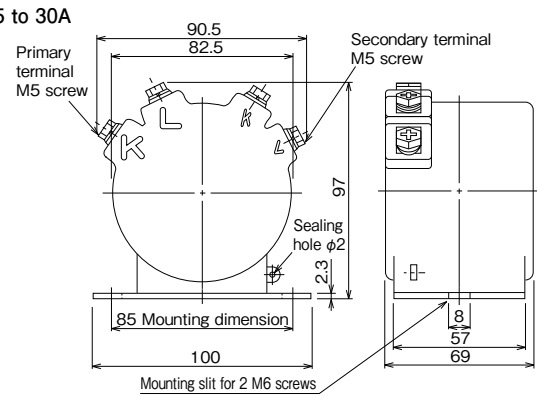
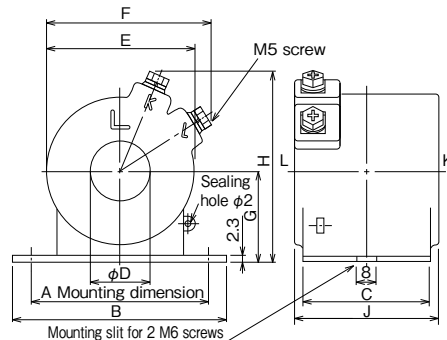


Fig. 3 150 to 750A



Item	Rated primary current (A)	Dimensions									
		A	B	C	D	E	F	G	H	J	
1	150,200	85	100	57	25	75.5	78.5	44	90	57.5	
2	250,300,400	70	85	50	32	68.5	73	41.5	84.5	57.5	
3	500,600,750	85	100	57	50	85.5	86.5	49.5	100	59	