

7. Mechanical Interlocks (MI)

This mechanical interlock device is used to enable one of two circuit breakers to turn on. Install the device on the panel.
Mechanical interlocks to be installed directly to circuit breaker bodies can be manufactured. Consult us for details.

● Front, rear and plug-in types

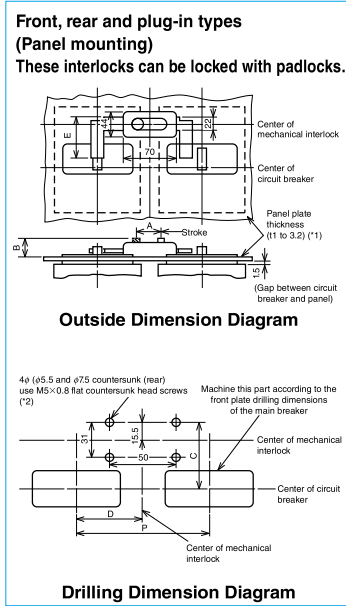


Fig. 1

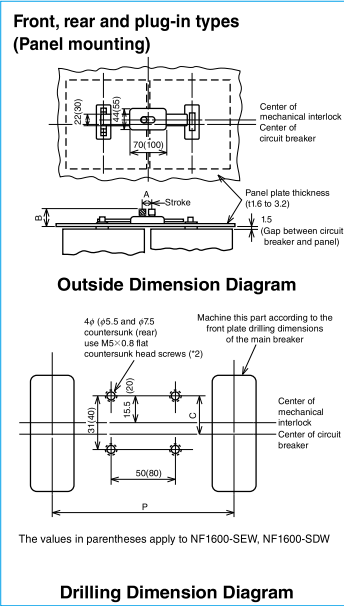


Fig. 2

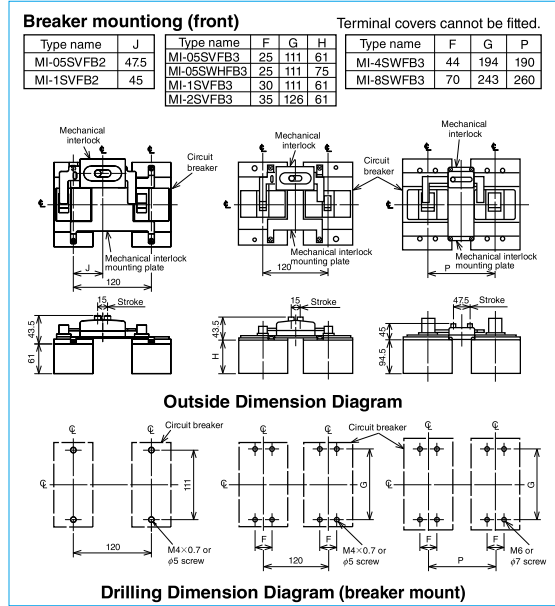


Fig. 3

Notes *1 For 400A frame or above, use a panel 1.6 to 3.2 thick.
*2 When the panel is 2.3 or more thick, countersink the panel (rear side) in ø9.5 for the four ø5.5 holes.

Table 6-40 Table of variable dimensions

Applicable model		Pitch (P) (*1)				Dimensions (mm)					Reference diagram	Breaker mount (*3)	Reference diagram (*3)				
MCCB	ELCB	Standard		Semi-standard	Standard		t	A	B	C				D	E		
		Type name	2P	3P	3P	Type name										4P	
NF32-SV, NF63-CV/SV/HV	-	MI-05SV3	120	-	-	-	-	15	33	63	47.5	58	(Fig. 3)	MI-05SVFB2 MI-05SVFB3 MI-1SVFB2 MI-1SVFB3			
NF32-SV, NF63-CV/SV/HV	NV32-SV, NV63-CV/SV/HV	MI-05SV3	-	120	-	130	MI-05SV4	120 (*4)	15	33	63	-			58		
NF125-CV/SV	-	MI-05SV3	120	-	-	-	-	15	33	63	45	58					
NF125-CV/SV/HV	NV125-CV/SV/HV	MI-05SV3	-	120	130	150	MI-1SV4	130 (*4)	15	33	63	-			58		
NF125-UV	-	MI-05SV3	120 (*4)	150	180	MI-2SV4	150 (*4)	(*2)	15	33	63	-	58	(Fig. 1)	MI-2SVFB3	(Fig. 3)	
NF125-SEV/HEV NF125-SGV/LGV/HGV/RGV NF160-SGV/LGV/HGV NF250-CV/SV/HV, NF250-SEV/HEV NF250-SGV/LGV/HGV/RGV	NV125-SEV/HEV NV250-CV/SV/HV NV250-SEV/HEV	MI-05SV3	120 (*4)	150	180	MI-2SV4	150 (*4)	-	15	33	63	-	58	(Fig. 1)	MI-2SVFB3	(Fig. 3)	
NF250-UV	-	MI-4SW3	-	190	-	210	MI-4SW4	250	-	25.5	-	-	-	-	-	-	
NF400-CW/SW/SEW/HEW/REW NF630-CW/SW/SEW/HEW/REW	NV400-CW/SW/SEW/HEW NV630-CW/SW/SEW/HEW	MI-4SW3	-	190	-	210	MI-4SW4	250	(*2)	47.5	33	83.5	-	74	(Fig. 3)	MI-4SWFB3	(Fig. 3)
NF400-UEW (3P)	-	MI-8SW3	-	220	-	240	MI-8SW4	290	-	47.5	33	83.5	-	74	(Fig. 3)	MI-8SWFB3	(Fig. 3)
NF800-CEW/SDW/SEW/HEW/REW	NV800-SEW/HEW	MI-8SW3	-	220	-	240	MI-8SW4	290	-	47.5	33	60	-	74	(Fig. 2)	-	-
NF400-UEW (4P) NF800-UEW	-	MI-10SW3	220	-	-	MI-10SW4	290	2.3	47.5	47	37.5	-	-	(Fig. 2)	-	-	
NF1000-SEW, NF1250-SEW/SDW NF1600-SEW/SDW	-	MI-16SW3	315	-	-	MI-16SW4	426	(*5)	65	54.5	39	-	-	(Fig. 2)	-	-	

Notes *1 Specify the circuit breaker mounting pitch (P).
*2 No need to specify the panel thickness (t). (Usable panel thickness range: t = 1-3.2mm. Above 400AF, use panel thickness t = 1.6-3.2mm)
*3 Terminal covers cannot be fitted. (However, TCL-4SW3 can be fitted.)
*4 When UVT is provided, separately install the module.
*5 If the thickness is not 2.3, specify the panel thickness (t).

Remarks 1. When a mechanical interlock is installed on the panel, screw type terminal covers cannot be installed.
2. These devices do not provide an isolation function. However, 400, 600, 630 and 800A frame circuit breakers can be made conforming to it. (See Note 3.)
3. On a 2-pole circuit breaker obtained by removing the neutral pole conductor from a 3-pole circuit breaker, the mechanical interlock can be installed in the same manner as on a 3-pole circuit breaker.