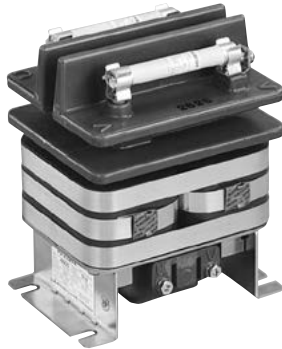


PD Series Voltage Transformers (less than or equal to 6600V)

PD-200K/PD-200KFH 200VA/Class 1.0/Class 1P

Epoxy resin mold



Use

- General-use meters/Relays

Specifications

Applicable standards: JIS C 1731-2/JEC-1201-2007

Type	Voltage transformation ratio (V)	Rated burden (VA)	Accuracy (class)	Withstand voltage (kV)	VT fuse		Frequency (Hz)	Limit output (VA) *2	External dimensions	Mass (kg)
					Model name	Rating				
PD-200K	440/110	200	1.0·1P	3/—	PL-G	0.6kV T2A 100kA	Both 50/60	500	Fig. 1	9.5
PD-200KFH (with fuse)	440/110			3/—					PL-G	7.2/3.6kV T1A 40kA
	3300/110			16/45						
	6600/110	22/60								

Notes

*1 Mitsubishi Electric does not manufacture no-fuse voltage transformers with transformation ratios 3300/110V or 6600/110V.

*2 If the limiting load is 500VA, the error is less than or equal to minus 5%.

*3 Withstand voltage value indicates commercial power frequency withstand voltage/lightning impulse withstand voltage.

Special transformation ratio range manufactured

Type	Voltage range manufactured (V)	
	Primary voltage	Secondary voltage
PD-200K	380 to 480	100 to 220
PD-200KFH	380 to 6600	

Note: For withstand voltage values of special voltage ratios, refer to "Guidelines for Selecting Voltage Transformers" on page 12.

External Dimensions

Fig. 1 PD-200K

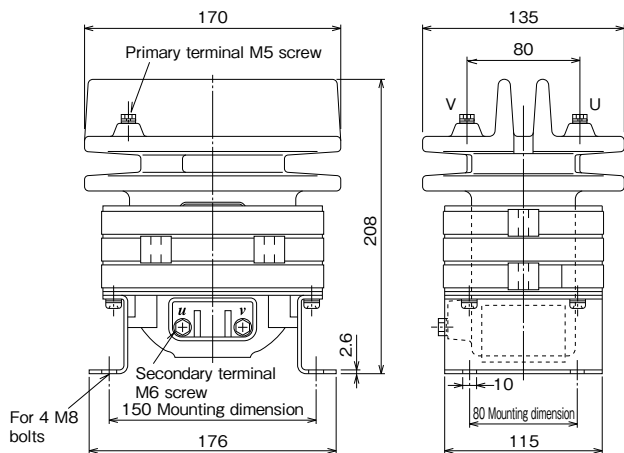


Fig. 2 PD-200KFH

